

- 360 DEGREES OF PITCH AND ROLL
- MULTI-VOLT OPERATION (9 TO 32 VOLTS)
- NEW LOW-PROFILE DESIGN
- INCREASED VIBRATION RESISTANCE
- FITS STANDARD CUTOUT
- TOTALLY SELF-CONTAINED
- BRIGHT, HIGHLY VISIBLE LCD DISPLAY
- ALL DIGITAL - NO MOVING PARTS
- 3 AND 2 INCH MODELS AVAILABLE
- ADJUSTABLE BRIGHTNESS
- BLACK ANODIZED BEZEL
- LIGHTWEIGHT 2"= 4.5oz. & 3"= 6.5oz.
- FAA CERTIFIED



RCA2600-3



RCA2600-2

2 YEAR WARRANTY!

We are excited to introduce the latest version of our popular **RCA2600** Digital Attitude Indicator. The new compact design and updated processors make this the most versatile and dependable Digital AI on the market today. The 3-inch **RCA2600-3** and the 2-inch **RCA2600-2** models are **FAA Certified** and are designed as a direct replacement for any Electric Attitude Gyro.

The **RCA2600** has the look and feel of a traditional gyro without the clutter of additional data on the screen. You will like the "gyro-like" responsiveness in pitch and roll that other digital AI's just can't match. We designed the new **RCA2600** to handle the high vibration environment found on helicopters and yet, their light weight is perfect for soaring. With no moving parts to wear out, this instrument will provide years of reliable service - that's why we include a full two-year warranty!

Both **RCA2600** models can be ordered with an optional **slip indicator** (inclinometer) (Order P/N 444-0010-01) which satisfies FAA AC 91-75 for even greater versatility.

The **panel tilt angle** can be set from 0 to 90 degrees in one degree increments.
The panel tilt angle is set at the factory and must be specified at time of order.
 Non-standard angles may require special orders through your supplier.

<u>OPERATING VOLTAGE</u>	9 to 32VDC
<u>RUNNING CURRENT</u>	(14VDC system) 0.20 AMPS MAX (28VDC system) 0.18 AMPS MAX
<u>CIRCUIT BREAKER SIZE</u>	2 AMP
<u>SETTLING ERROR</u>	1° MAXIMUM IN ROLL AND PITCH
<u>OPERATING TEMPERATURE RANGE</u>	-30° TO +50° C
<u>DIMENSIONS</u>	SEE FIGURE 1
<u>FAA SPECIFICATION CONFORMANCE</u>	TSO-C4c, TSO-C113, DO-160F & DO-178B
<u>MEETS OR EXCEEDS</u>	AS8034A and AS396B

Visit us at: www.kellymfg.com

May 2012

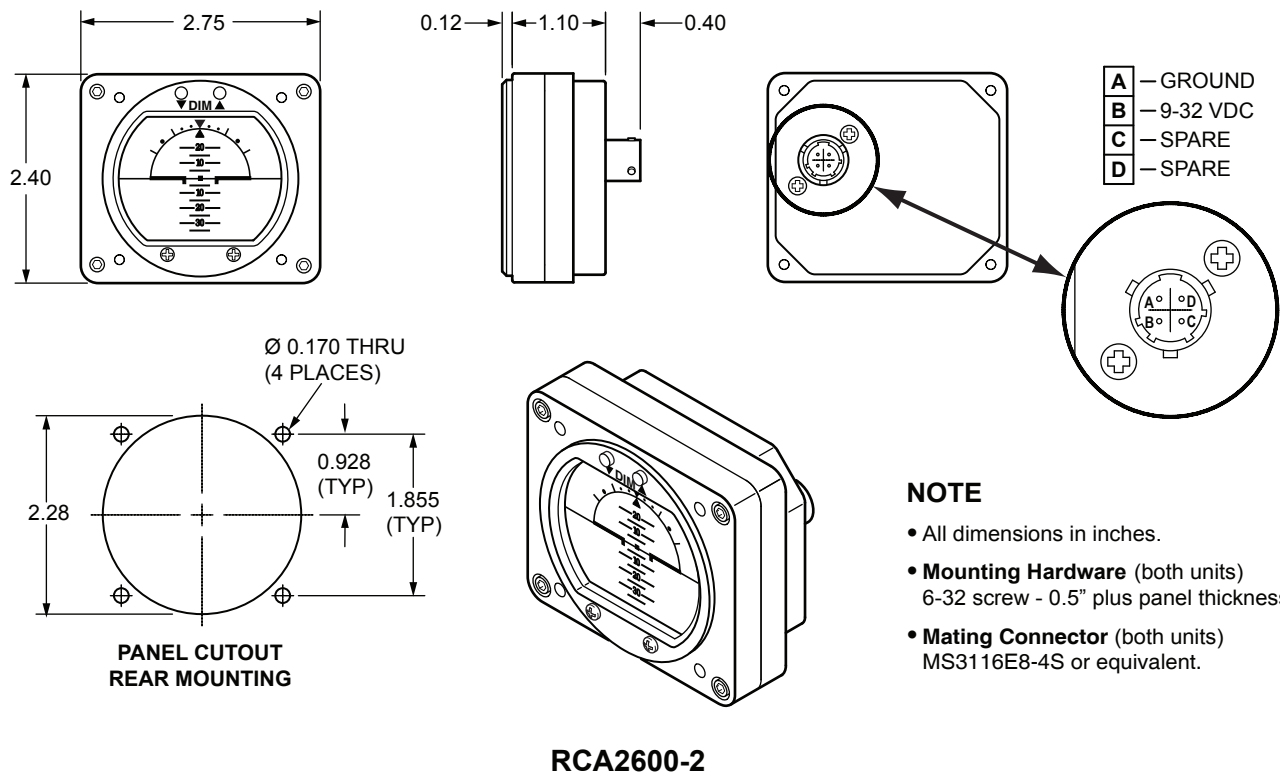
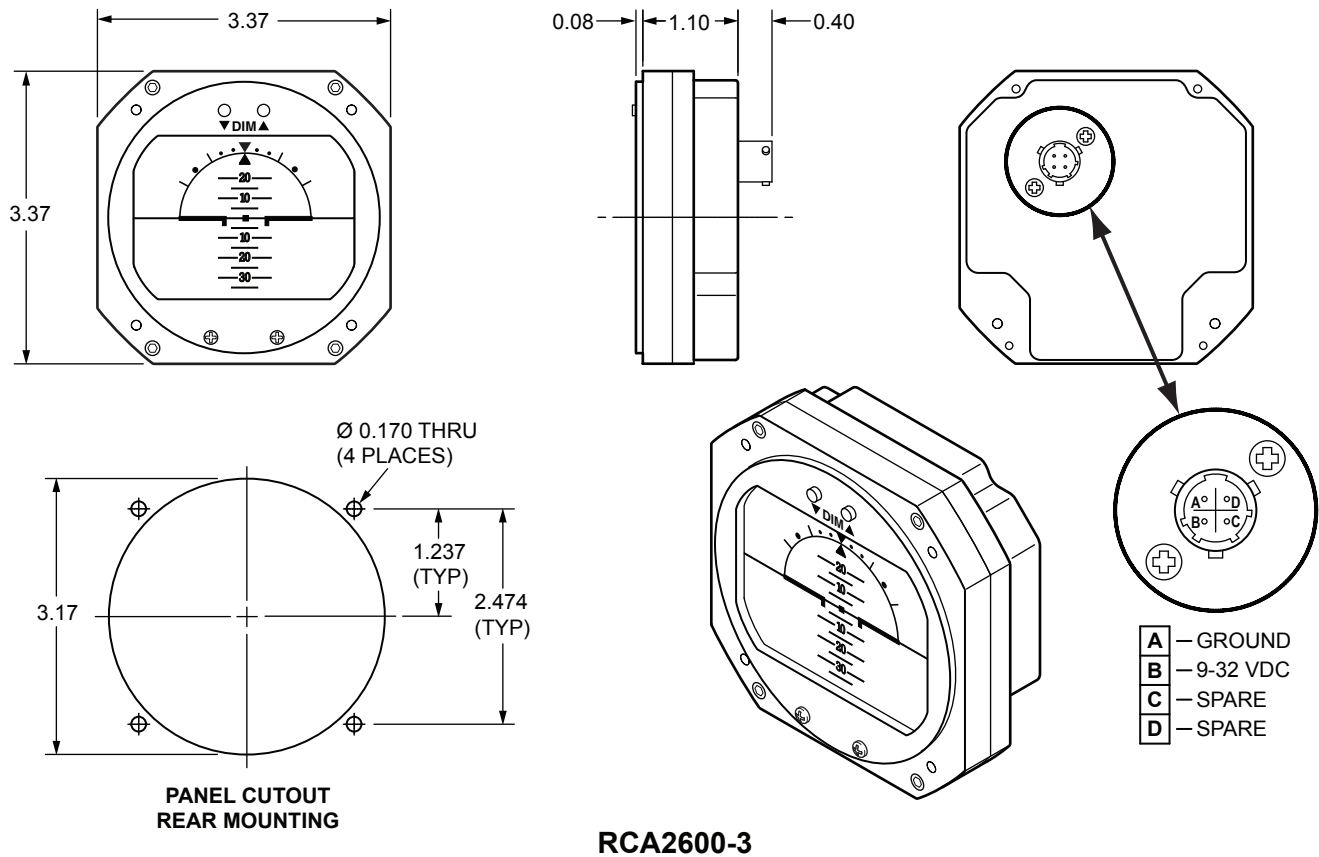


Figure 1, General Dimensions of the RCA2600-3 and RCA2600-2